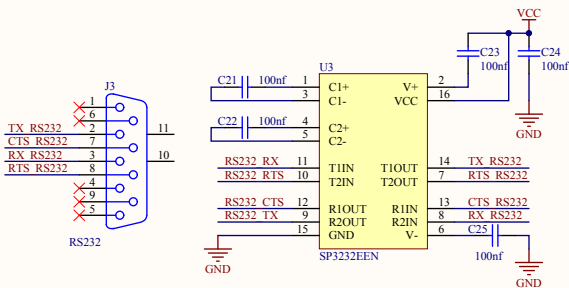
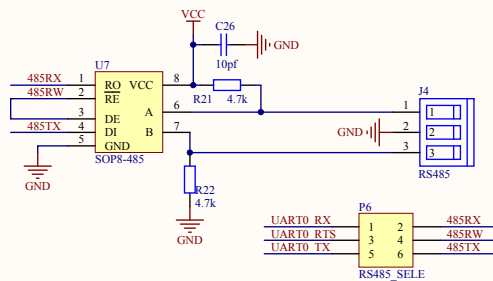


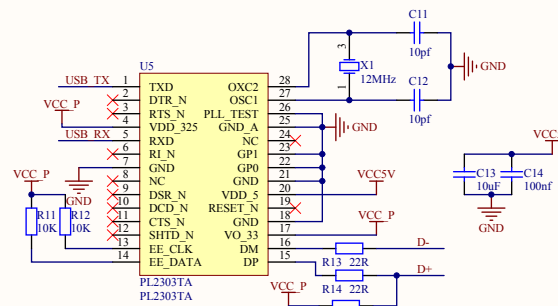
POWER->5->3.3V



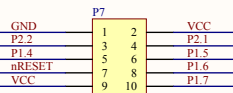
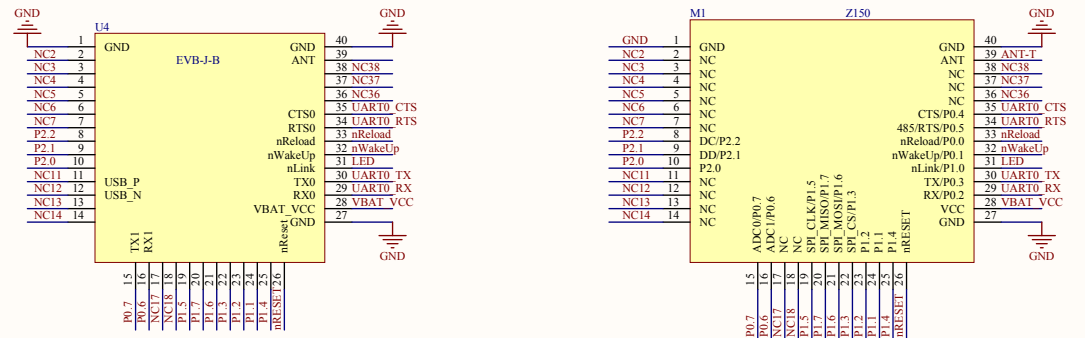
RS232 TTL



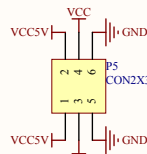
RS485 TTL



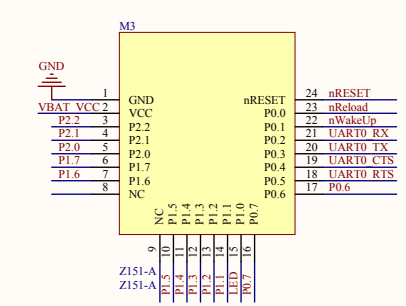
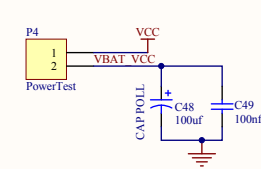
USB TTL



Interface Debugger



Interface Power



Title		
Size	Number	Revision
A3		
Date:	2016/10/23	Sheet of
File:	E:\project-pcb-ex\USEBoard SchDoc	Drawn By: