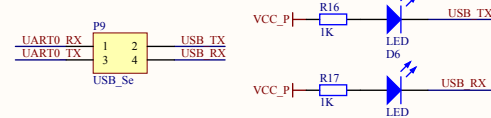
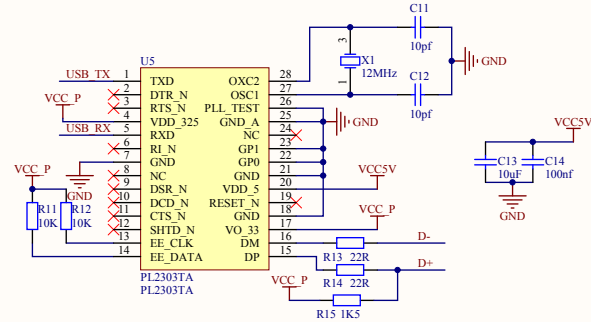
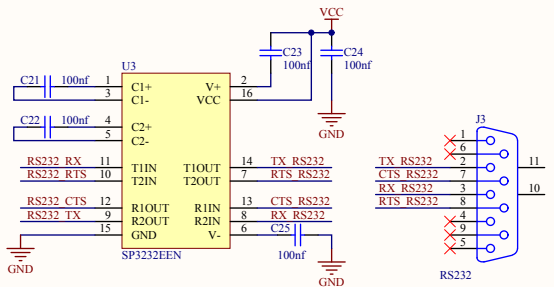


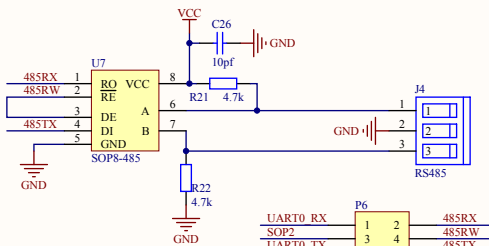
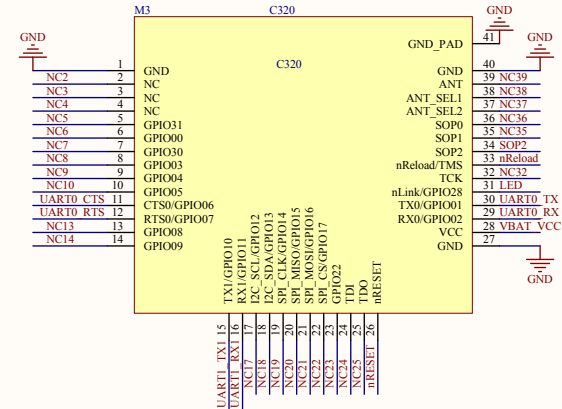
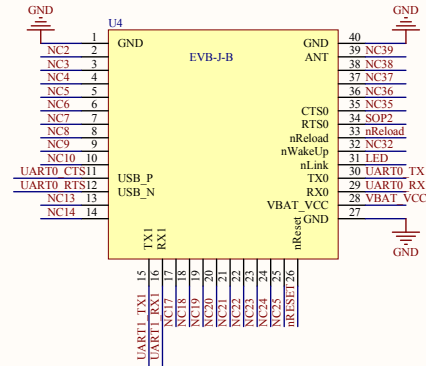
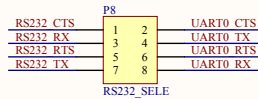
POWER->5->3.3



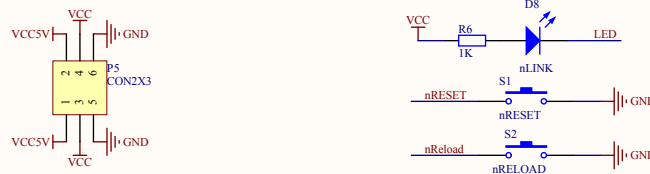
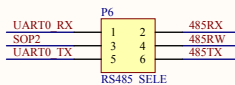
USB <->TTL



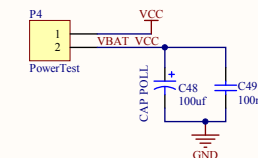
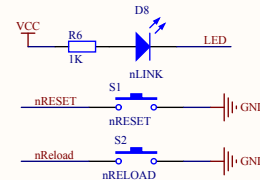
RS232 <->TTL



RS485 <->TTL



Power Interfacing



Title		
Size	Number	Revision
A3		
Date:	2016/10/23	Sheet of
File:	E:\project-pcb-ex\USEBoard SchDoc	Drawn By: